

Unity

What is a short break?

Aiming High short breaks are positive, enjoyable activities for a child or young person up to their 18th birthday. If you qualify you'll be given more information about how to find something your child really enjoys doing. Short breaks are also great for carers as they give you a break too!

What kinds of things can my child do?

So far young people have been helped to enjoy all sorts of activities from joining a wheelchair badminton club, visiting an inclusive youth club or even enjoying an activity at home with a paid carer. There's a wide range of activities on offer and you'll be given help to choose, if you need it.

Does my child qualify?

If your disabled child needs higher levels of support, and does not already enjoy any short breaks or activities, they are probably entitled to help from Aiming High.

Usually they will have:

- A significant physical disability
- Complex health needs
- Challenging behaviour linked to other impairments – for example a severe learning disability
- Autism or autistic spectrum condition with a significant learning disability and/or challenging behaviour.

You'll need to talk to someone already involved with your child like a therapist, Special Educational Needs Coordinator, nurse or social worker, or contact the Aiming High team direct on 01629 538993 (Thursdays and Fridays only). You must tell us about the services you already get so we can work things out fairly.

How much time will it amount to?

You'll get:

- Up to 80 hours a year flexible support to enjoy one-to-one activities, or;
- A short break grant towards enjoyable short breaks for your child. A mixture of both is also possible

Does every family get the same support?

The Derbyshire Offer initially gives the same level of support to those who qualify.

However, if you feel your family needs more you can talk to your lead professional or someone already involved with your child and ask for an assessment. Higher levels may be offered after this.

Some disabled young people may benefit from an activity weekend break with a local voluntary organisation. An assessment is needed for this. Ring the Aiming High office for more information.

Does it matter how much I earn?

No, the amount of support or money you get for short breaks does not depend on how much the parents or main carer earns.

We have tried to make the process of applying for short break funding as fair and straightforward as possible.

Will my child need to be assessed?

In most cases, an extra assessment is not needed for the basic level of support of up to 80 hours a year or for a small short break grant.

However, if your child has more complex needs and requires a higher level of support they will be assessed. We'll try to make this as easy for you as we can.

All families with a disabled child can have an assessment if they want one which can take into account the carer's needs too.

How can I find out more?

You'll find lots of general information about Aiming High at www.derbyshire.gov.uk/aiminghigh

The Derbyshire Short Break Statement can be found on the above website which explains more about available services and support, plus how and why funding decisions have been made.

Other useful information can be found at www.derbyshire.gov.uk/sen

What if I'm not entitled to help for short breaks?

Even if you don't qualify for help through Aiming High there's a lot Derbyshire County Council does for families with disabled children.

We help fund lots of group activities across the county with specialist local organisations.

Many group activities can be used without an assessment including play schemes, after-school clubs and music or sports clubs.

Everyone is entitled to use leisure and sports facilities, and Derbyshire County Council has given Aiming High grants to many swimming pools to improve their equipment and access.

For the latest information about Aiming High check out Reach magazine for families with disabled children. You can get it from www.derbyshire.gov.uk/reach or get a copy sent to you by phoning Call Derbyshire on 08456 058 058* or 01629 533190.

Useful information about activities is available from the following places:

Families Information Service: www.derbyshire.gov.uk/fis
Derbyshire Sport: www.derbyshiresport.co.uk
TooDoo: www.derbyshire.gov.uk/toodoo
Derbyshire Directory: www.derbyshire.gov.uk/directory



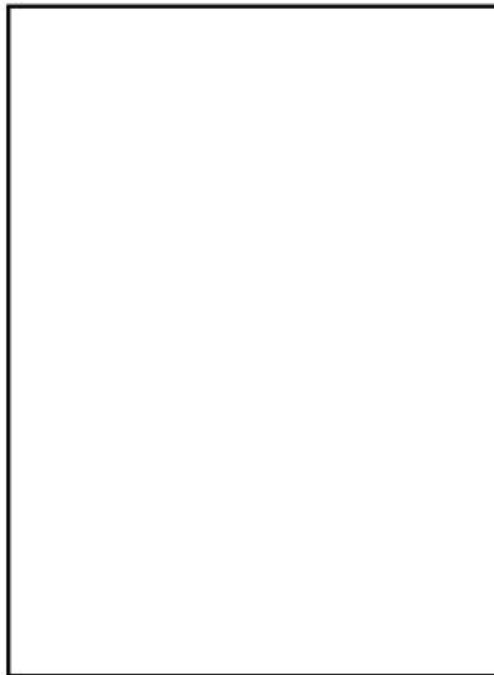
*Call Derbyshire is open 8am to 8pm weekdays, 9.30am to 4pm Saturdays. Call charges may vary and calls from mobile phones may cost considerably more. If you prefer not to use the 0845 number you can call 01629 533190.

Unity is achieved in the above leaflet in three separate ways. Discuss each of the three (6 marks).

The text is aligned down one side and "ragged" down the other. What is the name of this configuration and why might the designer have opted for this layout? (2 marks)

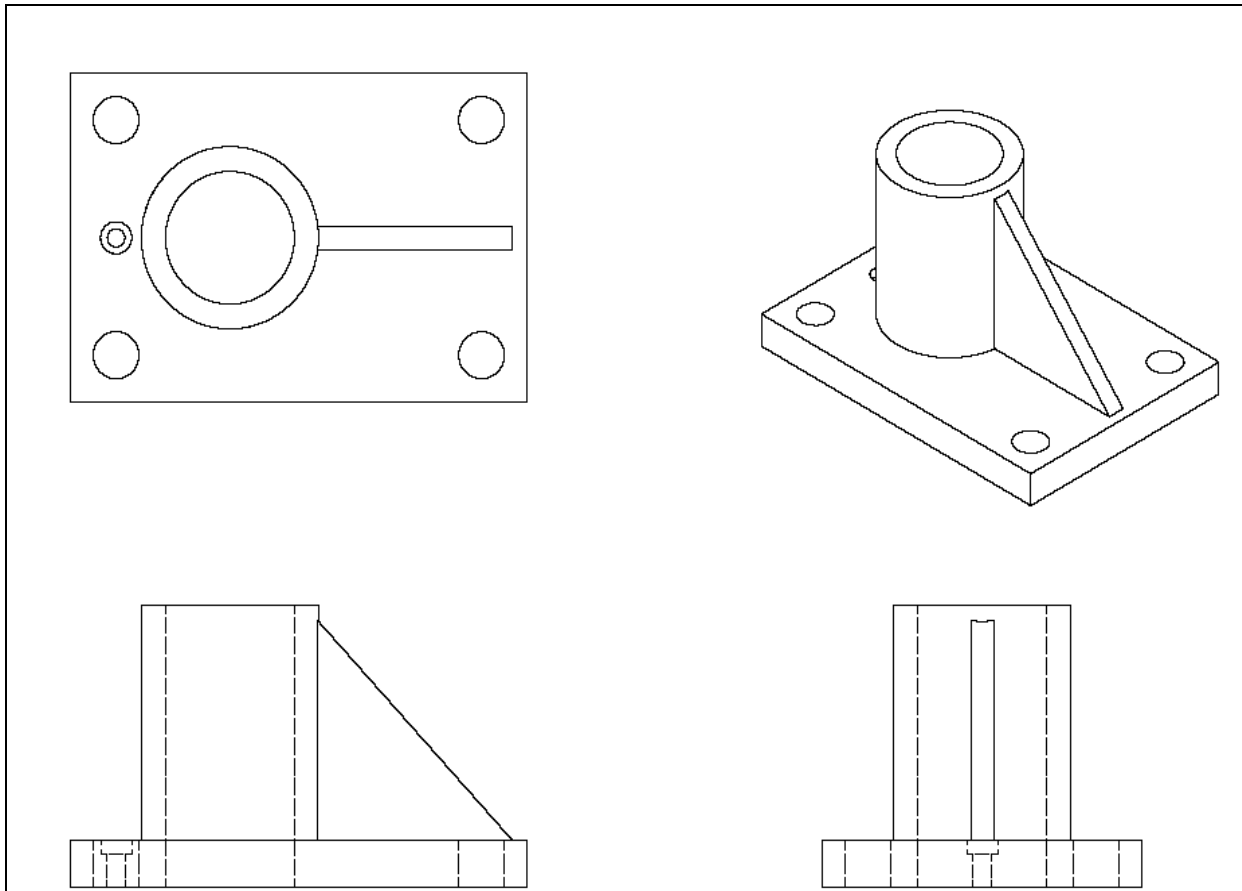
Publishing companies use many different styles of page layout when producing various articles for publication.

- a. Redraw the blank page below and add the following
 - i. A **header** with the wording "**City Banking**".
 - ii. A **footer** with the wording "**May 2001**".
 - iii. **Three columns** into which text is to be placed.



- b. A graduated colour fill is to be used for the background. Explain what is meant by a colour gradient.

Graph Comm Homework Pupil's Name: _____



Three orthographic views of a bracket are shown. Name the fourth type of view and the advantage it offers over orthographic (1 mark).

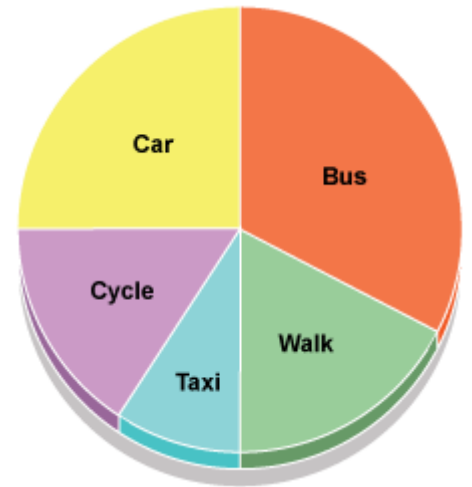
The drawing was printed using a scale of 2:1. What does this mean? (1 mark)

Using Inventor 3D modelling terms, describe any three consecutive modelling steps that would have been needed to create the bracket. Include full size dimensions in your description. Sketches may be used. (3 marks)

Graph Comm Homework Pupil's Name: _____

A survey was taken of all pupils in a school to find out how pupils travelled to school and the results are shown in the chart shown below.

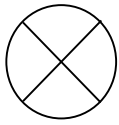
State the type of chart and why it was thought to be most suitable: (2 marks)



The average cost of a bus ticket was recorded each month over a period of two years. Which type of chart would be best suited to tracking this information and why? (2 marks)

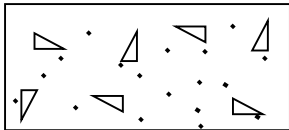
Graph Comm Homework Pupil's Name: _____

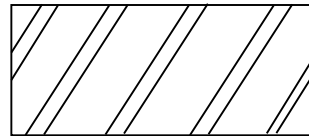
Name the building symbols shown below (5 marks):









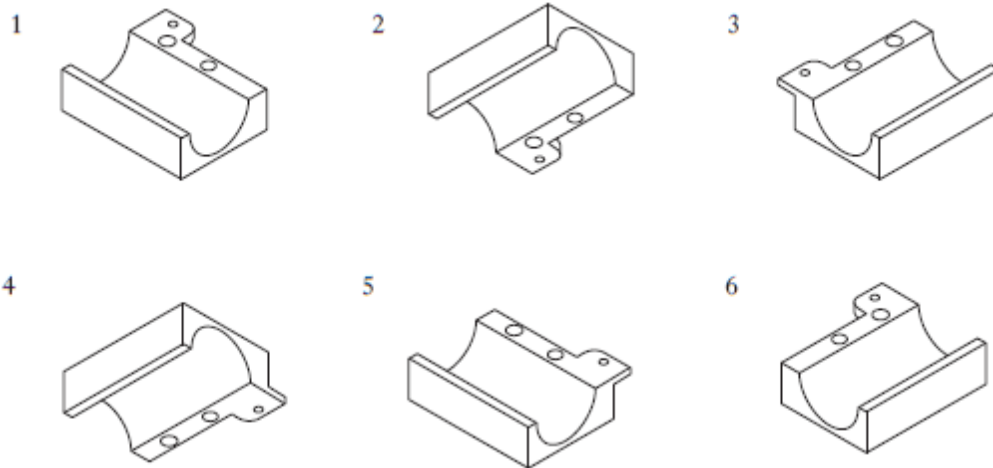
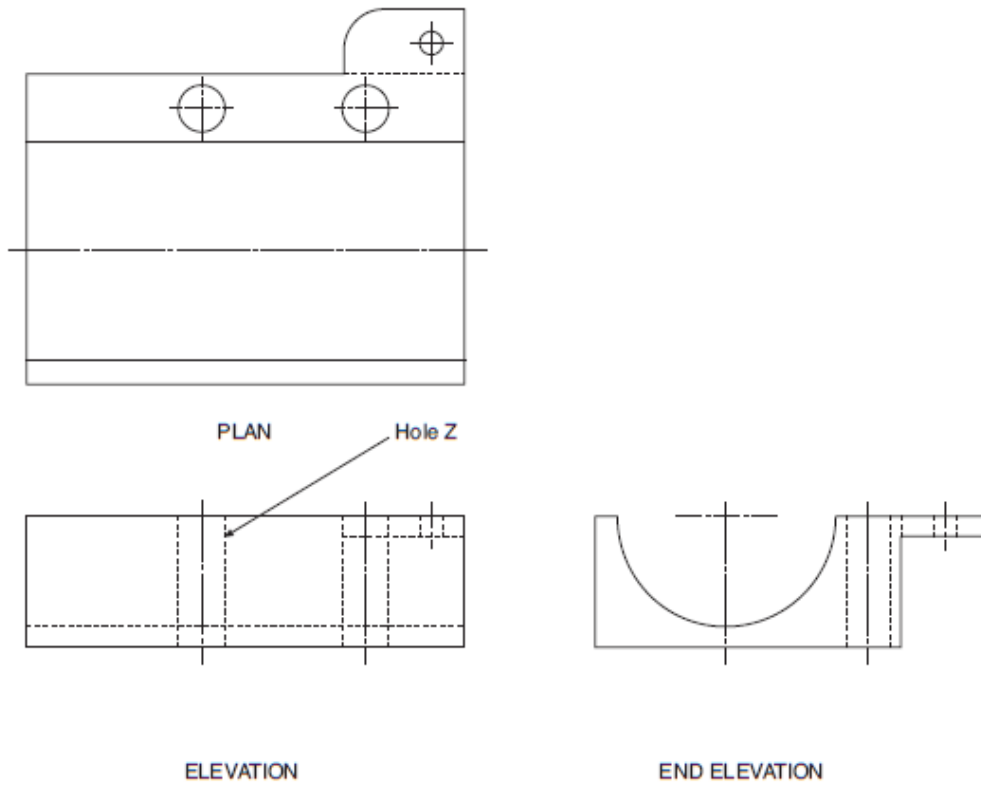


The architect inserted these symbols from a CAD library. State what a CAD library is and give 2 advantages of this method (3 marks)

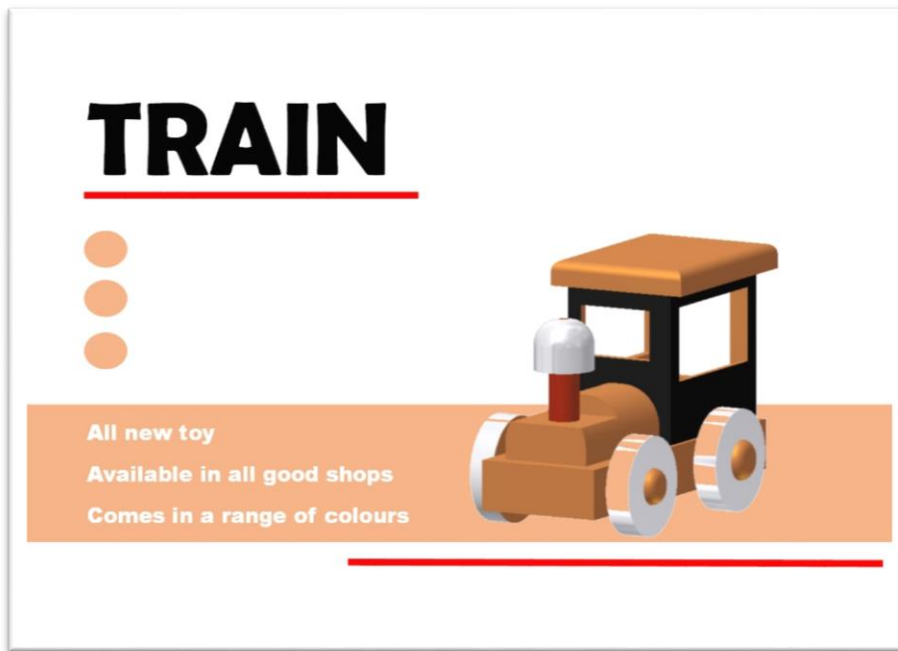
Graph Comm Homework Pupil's Name: _____

Three views of a bearing housing are shown in Drawing X below.

Drawing X



State which two pictorials 1-6 shown above represent the bearing bracket (2 marks)



A graphic designer has produced a range of layouts to promote a toy train. State one instance of alignment used in the poster above and say what effect this has? (1 mark)

Give two examples of unity(2 marks)

Line has been used in the poster. Why might the designer have chosen red as a colour? (1 mark)

Red and orange are close to each other on the colour wheel. Why might the designer have chosen these colours? (1 mark)

poster Identify the DPT features shown (10 marks)

SPECIAL ADVERTISING SECTION

Spring GETAWAYS

READY TO GET OUT OF TOWN? WHETHER YOU WANT A QUICK TEXAS GETAWAY OR SOMETHING TROPICAL AND EXOTIC, USE THIS GUIDE TO HELP YOU FIND THE PERFECT DESTINATION FOR SOME MUCH-NEEDED R&R.

TURTLE ISLAND *Fiji*

TURTLE ISLAND RESORT in Fiji is well known as a romantic, tropical beach paradise. With 500 acres of lush rainforest, seven pristine white sand beaches, and only 14 couples at any one time, the resort stands out as one of the most exclusive and intimate getaways in the South Pacific. Nestled amidst a necklace of ancient volcanic lagoons and jagged islands in the Republic of Fiji, Turtle Island is situated 30 minutes from Nadi by seaplane. The resort on Turtle Island features 14 private beachfront Fijian-style villas or "burens," each one constructed and furnished by the island's skilled craftsmen. Owner Richard Evonson purchased Turtle Island in 1972 and has worked to preserve the lush, beautiful rainforest, and to protect the cultural integrity of the indigenous Fijian population occupying the surrounding islands.

Turtle Island is a nature lover's paradise. Its web of hiking paths meanders through grassy highlands with breathtaking views through numerous coconut groves, mango and papaya plantations, heavily wooded hillsides, and spectacular cliff-top vistas. Paths lead into a spectacular tropical rainforest, with 60-foot rain trees, vines, mahogany, and a richness of verdant greenery. Everyone at Turtle Island, including guests and staff, is on a friendly first-name basis, reflecting the Fijians' deserved reputation as being the friendliest and most accommodating people in the world. Although bure service and secluded private dine-outs are always available, most guests prefer to join Turtle Island's nightly outdoor dinner party at dusk; musicians stroll amongst the burens, amending guests. The exquisite cuisine includes freshly caught lobster, yellow fin tuna, wahoo, and mud crab. Australian lamb and beef are specially imported and matched with vegetables grown in the four-acre organic garden, succulent tropical island fruits, and an unlimited supply of fine wines, champagnes, and liquors.

Naturally, Turtle Island provides endless opportunities for both adventure and relaxation, whether on land or in the sparkling waters. The staff of indigenous Fijians carries on the centuries-old tradition of "vakaluvaga," which sees the Fijians sparing no effort to provide the utmost in gracious and attentive, yet unobtrusive, service and care. No request is too much, from arranging for a seaside moonlight dine-out to an early morning sunrise horseback ride. Each bure has its own dedicated Bure Mana, who acts as a blend of housekeeper, cultural mentor, activities advisor, friend, and guide. This unique "one to one" approach to guest service on Turtle Island is one of many things setting the resort apart from other private island resorts. turtlefiji.com

ONE SEAGROVE PLACE *Florida*

ONE SEAGROVE PLACE, paradise on Florida's northwest coast. The beauty of pristine beaches and coastal dune lakes will capture your soul as you enjoy the unsurpassed beauty of a wilderness that weaves from beach to bay. Where sugar white sands are kissed by the shimmering crystal waters of the Gulf of Mexico, Seagrove Beach is nestled between Grayton Beach State Forest and Deer Lake State Forest, which effectively preserves the magnificence of nature at its finest. One Seagrove Place condominiums offer two-bedroom/two-bath accommodations with a full kitchen and your own private beachfront balcony. Area attractions include fine dining and late-night bistros, quaint shops, galleries, repertory theater, concerts on the green, kayaking, fishing, miles of bike trails, and more. Majestic beauty where the heavens meet the sea...find it at One Seagrove Place. To book your condominium at One Seagrove Place, call 800-368-9100 or visit oneseagroveplace.com.

EVENTS

REMEMBER THESE DATES WHEN PLANNING YOUR SPRING VACATION

March 2
First Friday Gallery Crawl & Music, *Gunnison*

March 2-3
Crested Butte Dance Collective's Move the Butte, *Crested Butte Center for the Arts*

Local artists, dancers, and choreographers showcase a variety of dance styles, including modern and contemporary. Nia, tango, aerial dance, stilt walking, tap, jazz, hip hop, and Irish soft shoe dancing.

March 2-5
37th Annual Zante Antique Show & Sale, *Langview*

March 8
Full Moon Dinner at the Yurt, *Crested Butte Nordic Center's Magic Meadows Yurt*

March 8-10
Barnt Mountain Film Festival, *Crested Butte Center for the Arts*

46 MARCH 2012 / DMAGAZINE.COM

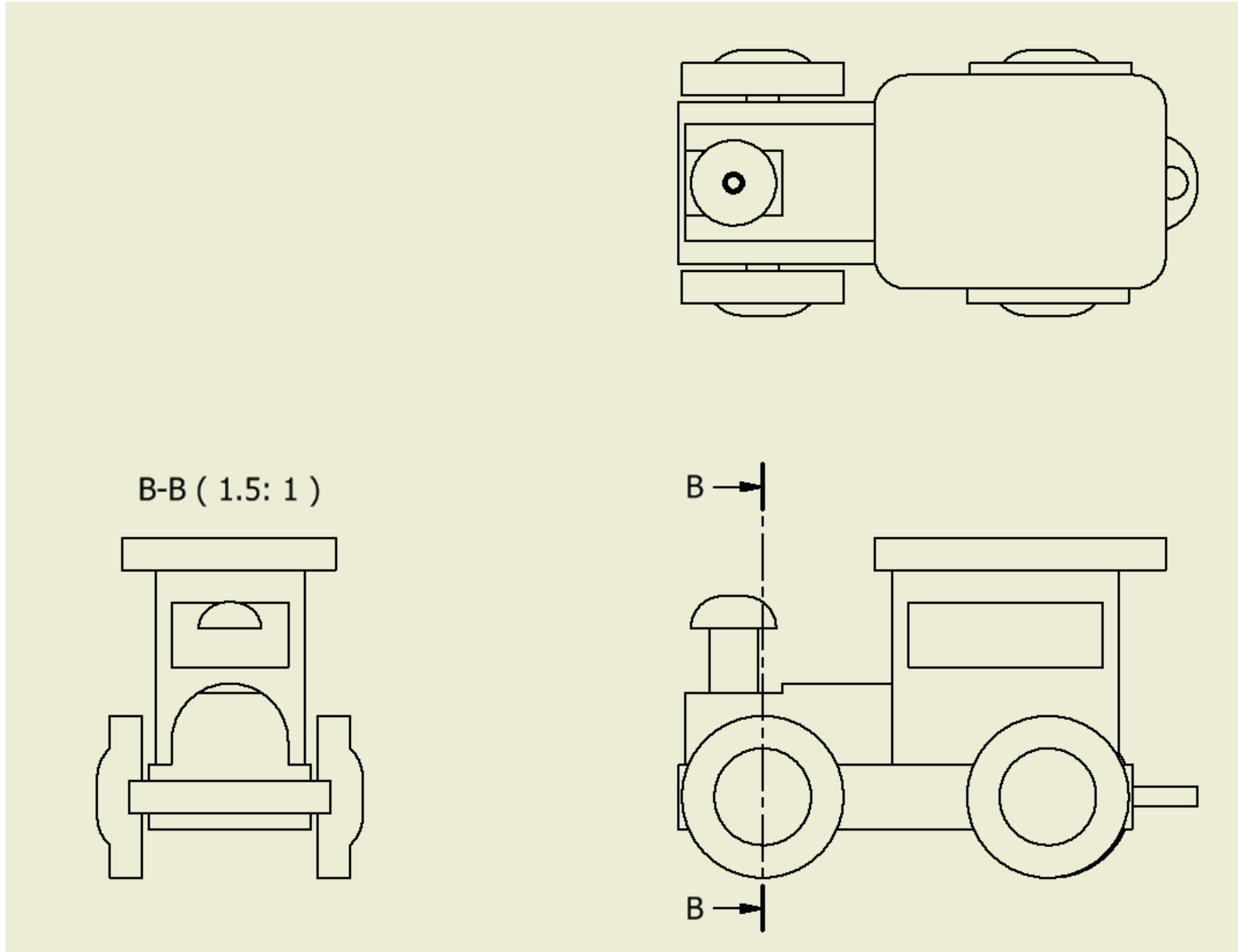
Why might the designer include a header or footer in a magazine page? (1 mark)

Name two environmental benefits from the DTP industry (2 marks)

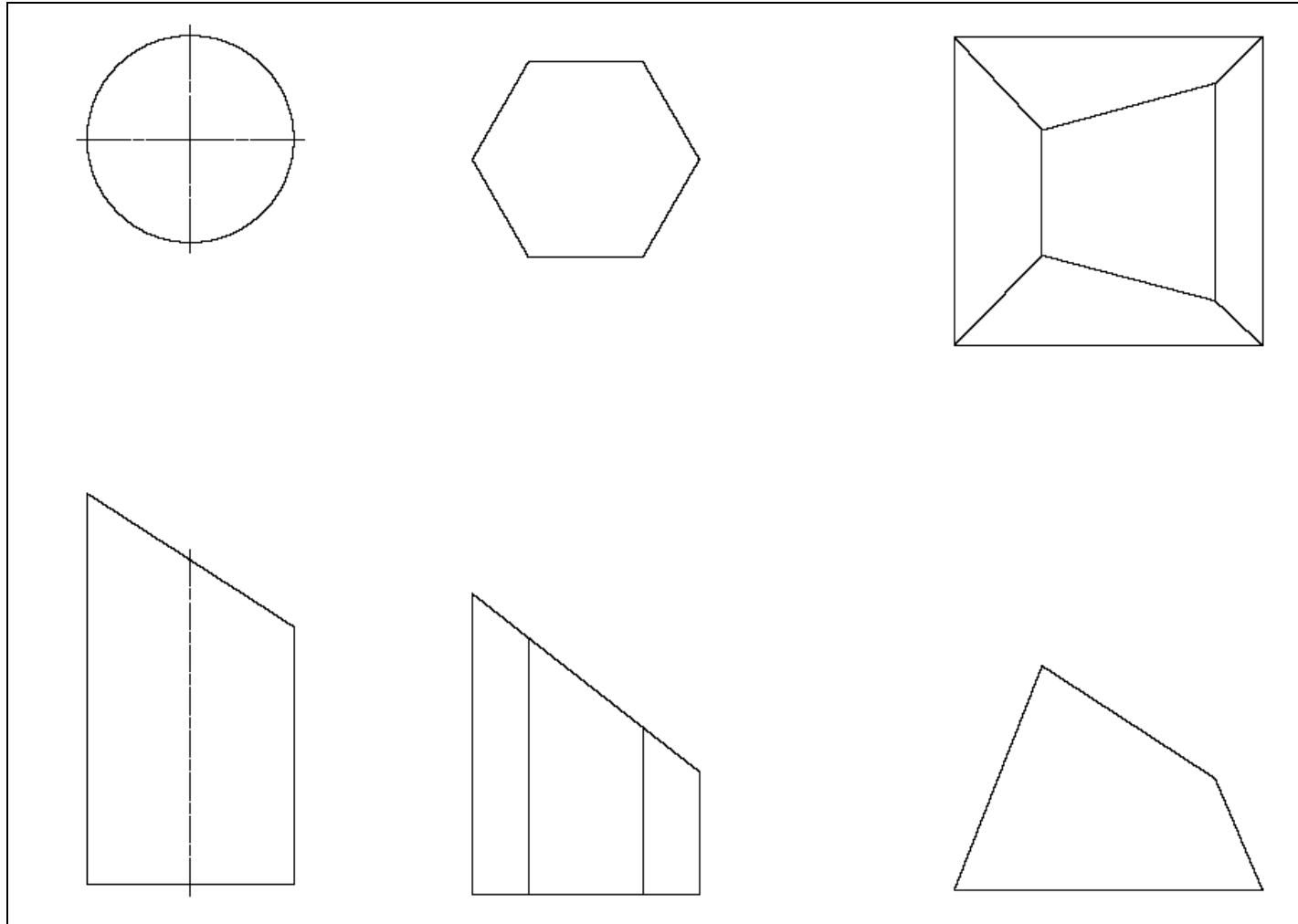
Other than environmental, name another benefit DTP has given to the publishing industry (1 mark)

Graph Comm Homework Pupil's Name: _____

Hatch, dimension and annotate (including centre lines and view names, appropriate projection symbol) the drawing below to British standards. (6 marks)



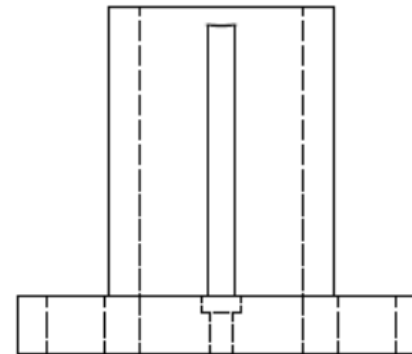
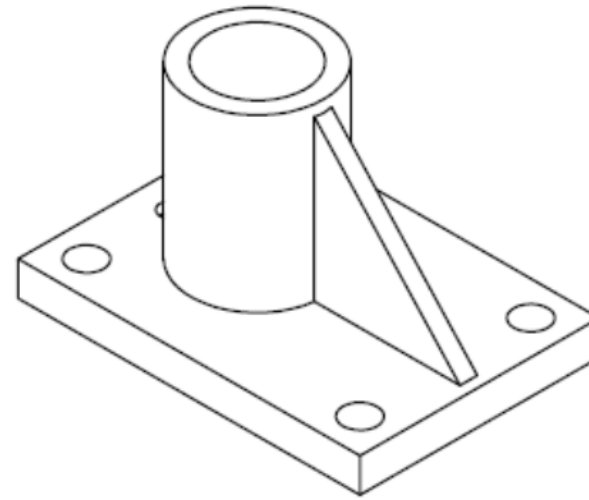
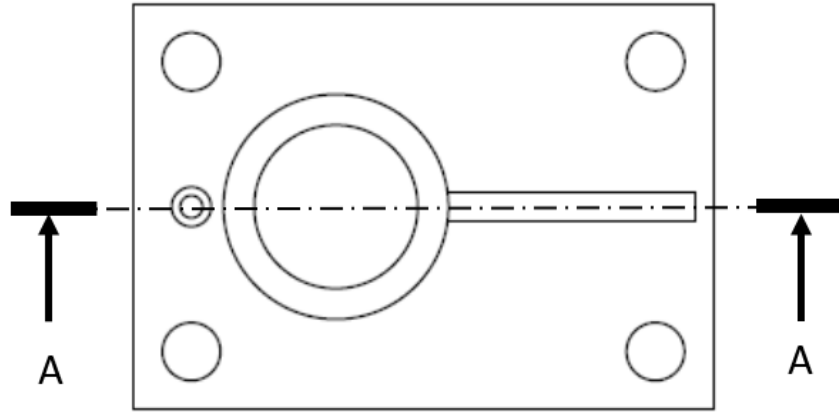
Graph Comm Homework Pupil's Name: _____



The drawing above shows the plan and elevation of three geometric shapes. Sketch the true shape of the sloping surface in the correct position for each of the objects. (6 marks)

Graph Comm Homework Pupil's Name: _____

Complete the sectional view A-A (5 marks)

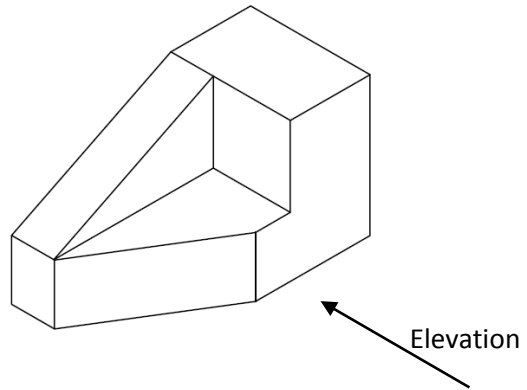


Name the type of line marked A-A (1 mark): _____

Why might a designer use a sectional view (1 mark): _____

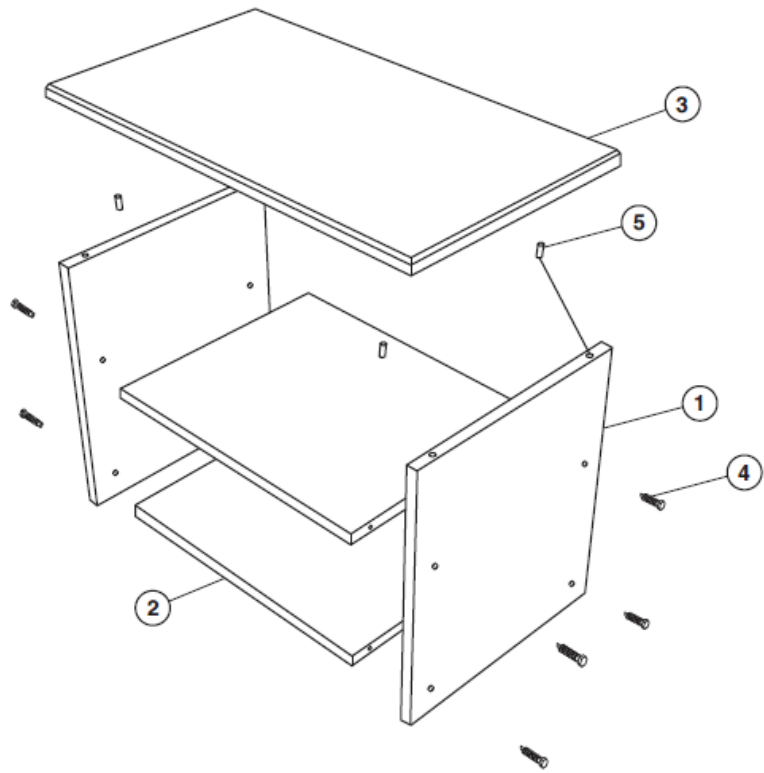
Graph Comm Homework Pupil's Name: _____

An isometric view of a block is shown below. From the given view sketch 3 orthographic views using 3rd angle projection in the space below (3 marks per correct view).



Graph Comm Homework Pupil's Name: _____

The assembly diagram and parts list for a flat-pack TV cabinet is given below.



- How many bolts are used in the assembly.
..... 1
- What is the material the shelves are made from.
..... 1
- What is the part no for the sides.
..... 1
- What is the length of the top.
..... 1
- What is the diameter of part no 259-763.
..... 1

(5 marks)

PARTS LIST

ITEM NO	PART NO	NAME / DESCRIPTION / L x B x Th	MATERIAL	NO USED
1	922-311	Side Panel – L 500 x B 400 x Th 20 mm	OAK	2
2	922-312	Shelf – L 500 x B 400 x Th 20 mm	OAK	2
3	922-476	Top – L 700 x B 400 x Th 20 mm	OAK	1
4	316-194	Bolt – M5 x 50 mm	STEEL	8
5	259-763	Dowel – Ø10 x 20 mm	PINE	4